

Features

- Relief valve for limiting the maximum pressure in two lines of a hydraulic system.
- Can be used to limit pressure load on bi direction hydraulic motors.
- Direct operated poppet design
- Steel body with clear zinc plating

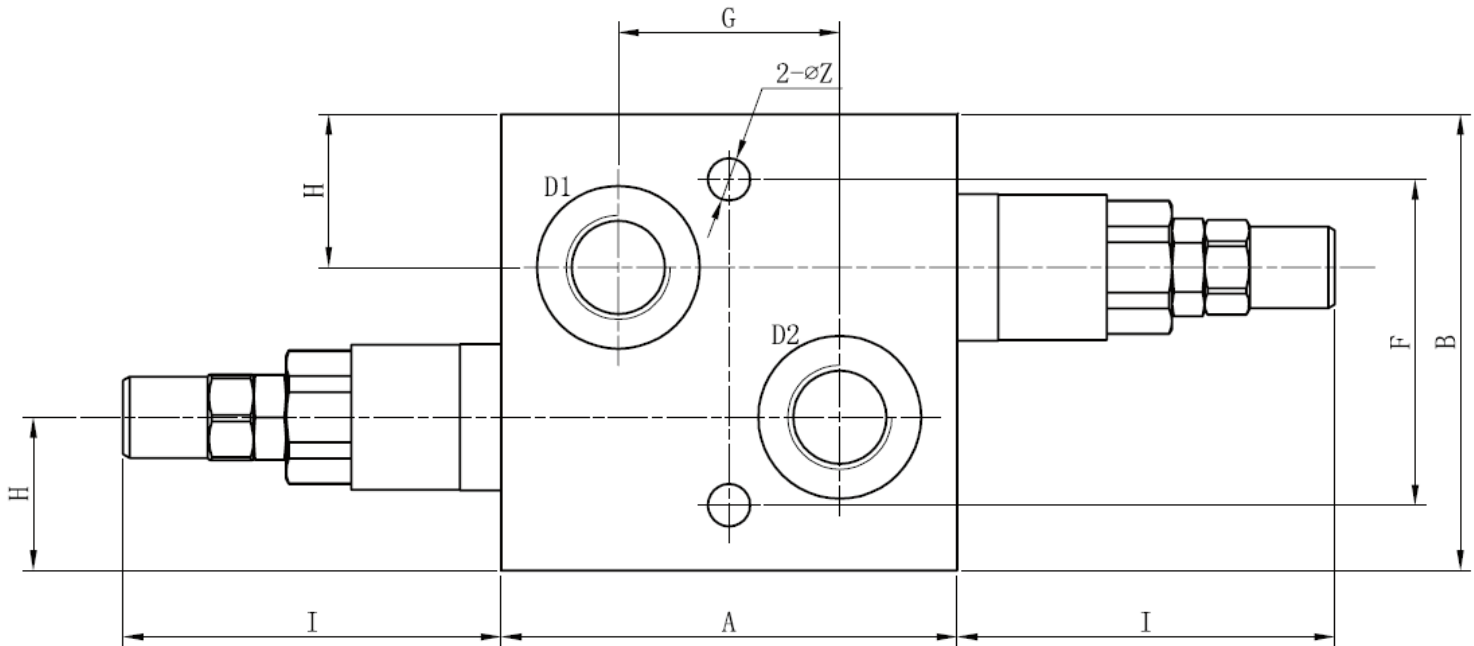


Ordering Details

| | | | |
|------|--------------------|--------------------------|------|
| V | Valve | Nominal NPTF Thread Size | Code |
| I | Inline connection | 3/8" | N.37 |
| RC- | Relief, Cross Port | 1/2" | N.5 |
| N.5- | Port Size | 3/4" | N.75 |
| 1 | Series: | 1" | N1 |

Example Part Number: VIRC-N.5-1

Dimensions and Technical data



| Size, D1, D2 NPTF | Max. Flow lpm (gpm) | Max. Pressure, bar (psi) | Oil Cleanliness | Dimensions, mm (inch) | | | | | | | |
|-------------------|---------------------|--------------------------|--|-----------------------|-----------|------------|-----------|-----------|-------------|-----------|------------|
| | | | | A | B | Body Depth | F | G | H | I | ØZ |
| 3/8" | 25 (6.6) | 315 (4568) | NAS 1638 Class 9 ISO4406 Class 20/18/15 | 70 (2.76) | 70 (2.76) | 35 (1.38) | 50 (1.97) | 34 (1.34) | 23.5 (0.93) | 60 (2.36) | 6.5 (0.26) |
| 1/2" | 50 (13) | | | 90 (3.54) | 82 (3.23) | 40 (1.57) | 65 (2.56) | 50 (1.97) | 25 (0.98) | 66 (2.60) | 6.5 (0.26) |
| 3/4" | 100 (26) | | | 100 (3.94) | 95 (3.74) | 50 (1.97) | 75 (2.95) | 56 (2.20) | 30.5 (1.20) | 72 (2.83) | 8.5 (0.33) |
| 1" | 120 (32) | | | 120 (4.72) | 95 (3.74) | 50 (1.97) | 75 (2.95) | 56 (2.20) | 30.5 (1.20) | 72 (2.83) | 8.5 (0.33) |